

## 12” Compact Manual Slicer

### Standard Features

- 12” special alloy knife (Rasspe®, high quality brand made in Italy), longer lasting and easier to sharpen
- 1/3 HP knife motor with permanently lubricated ball bearings, overload protection
- Aluminum alloy one-piece base with stain resistant and easy clean anodized finish
- Top mounted, removable all metal knife sharpener with two stones for a razor sharp cutting edge
- Index knob control gets 0 to 9/16” (14mm) precision slice thickness adjustment
- Permanent ring guard protects entire non-slicing portion of the knife, with removable cover and deflector
- Knife cover interlock prevents slicer from operating without knife cover in place
- Sealed splash zones for added sanitation and protection of electronics
- Angled gravity feed food chute
- Power switch secures no voltage release preventing inadvertent reactivation of slicer in the event of power or interlock interruption
- High quality aluminum base, food chute and feet

### MODELS:

PPSL-12

PPSL-12 FRONT VIEW



PPSL-12 ANGLE



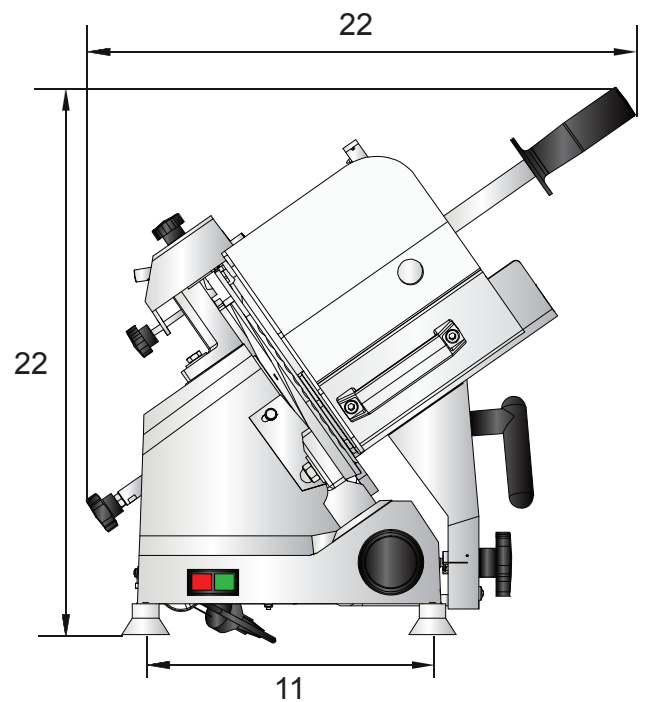
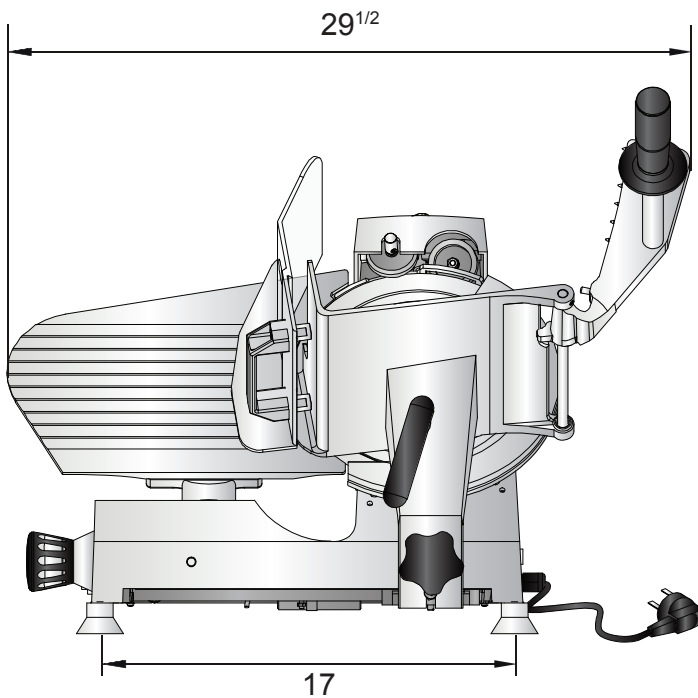
1 YEAR PARTS AND LABOR WARRANTY (US ONLY)



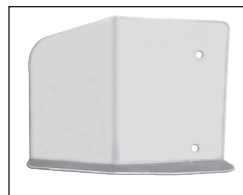
## SPECIFICATIONS

Model	HP	Watts(W)	Voltage (V/Hz/Ph)	Amps(A)	Drive Type	Exterior Dimensions (inch)	Net Weight (lbs)	Gross Weight (lbs)
PPSL-12	1/3	250	110/60/1	2.3	Belt driven	29 <sup>1/2</sup> ×22×22	62	70

## PLAN VIEW



Sealed splash



Indicator light



Metal index knob



**NEMA 5-15P**



NEMA  
15A/125V