



“WE MAKE THE KITCHEN BETTER!”

ATOSA USA, INC.

Toll Free: 855-855-0399 Email: info@atosausa.com

www.atosa.com | www.atosausa.com

California, Colorado, Florida, Georgia, Illinois, New Jersey, Ohio, Texas, Washington

# One Compartment Sink Left and Right Drainboards

| MODELS:  |
|----------|
| MRSA-1-D |

## Standard Features

- Entire sink is formed from a single sheet, fused and polished creating a one-piece sanitary unit
- 18” left and right drainboards
- All exposed welds are grounded smooth and polished to blend with adjacent surfaces providing a satin finish
- Large radius on all corners both vertically and horizontally
- Creased and angled drain boards for easy drainage
- Galvanized legs are standard on all models
- Adjustable ABS bullet feet
- Faucets sold separately

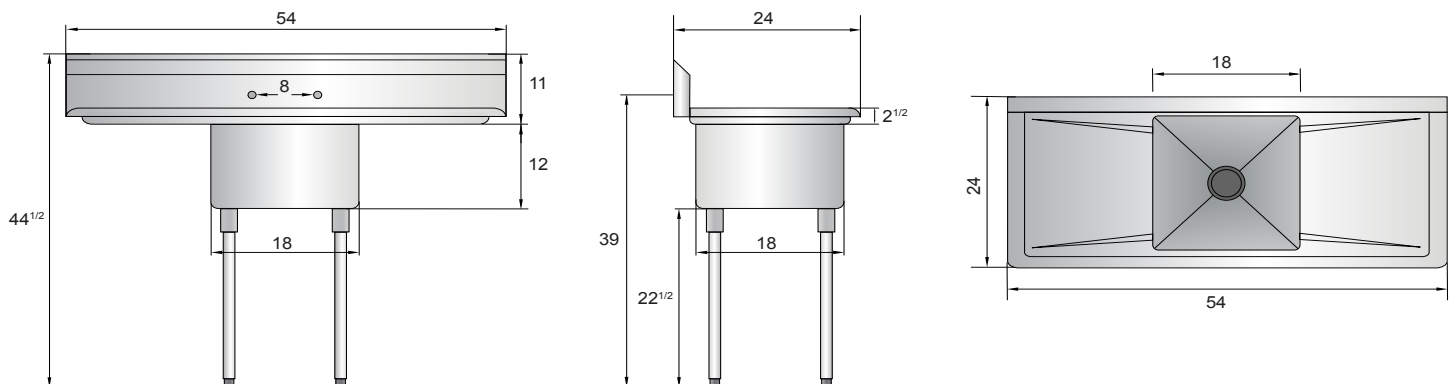


## Optional Features

- Leg cross bar (pair) part #: MRPN007

| Model    | Ga. | Bowl Size(inch) | Leg Size(inch)    | Exterior Dimensions(inch) | Net Weight (lbs) |
|----------|-----|-----------------|-------------------|---------------------------|------------------|
| MRSA-1-D | 18  | 18×18×12        | 22 <sup>1/2</sup> | 54×24×44 <sup>1/2</sup>   | 45               |

## PLAN VIEW



90 DAYS WARRANTY ON WORKMANSHIP

Atosa International  
www.atosa.com

Atosa USA  
www.atosausa.com

\*Atosa is continuously improving products. Specifications are subject to change without notice.\*



REV. 05/23