

# Countertop Radiant Broilers

## Standard Features

- Stainless steel exterior and interior
- 35,000 BTU stainless steel burners with standby pilot
- Independent manual controls every 12”
- Heavy-duty, reversible cast iron grates
- Top grates are adjustable multi-level
- Adjustable, stainless steel legs standard
- 3/4” NPT rear gas connection and regulator standard

### MODELS:

ATRC-24 / ATRC-36 / ATRC-48



**ATRC-24**



**ATRC-36**



**ATRC-48**



1 YEAR PARTS AND LABOR WARRANTY



Conforms to ANSI  
STD Z83.11-2009 (2011)  
Certified to CSA  
STD 1.8B-2009 (2011)  
Conforms to NSF/ANSI STD.4



REV. 05/23

**“WE MAKE THE KITCHEN BETTER!”**

**SPECIFICATIONS**

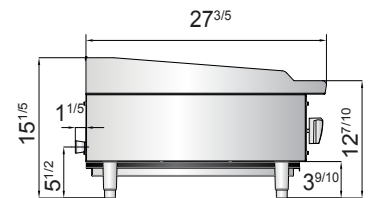
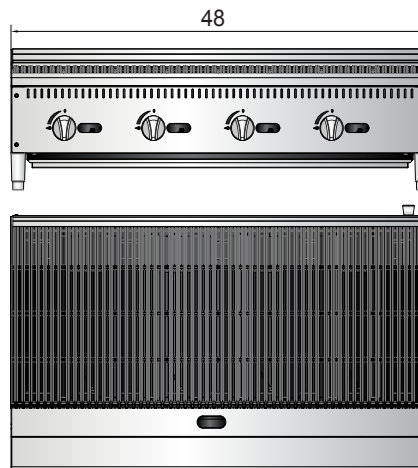
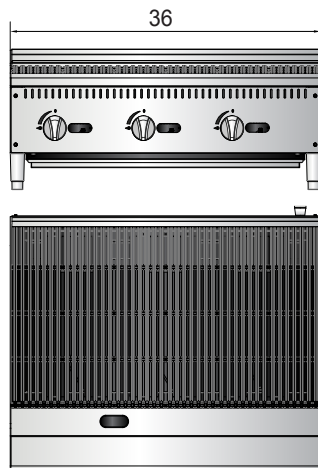
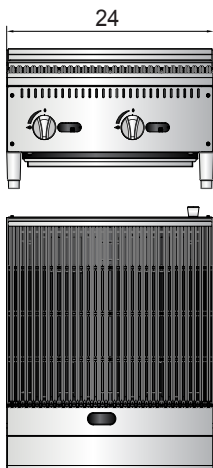
Models	Burners and Control Method	Gas Type	Intake-tube Pressusre (in.W.C.)	Per BTU B.T.U./h	Total BTU B.T.U./h	Regulator	Work Area (inch)	Exterior Dimensions (inch)	Net Weight (lbs)	Gross Weight (lbs)
ATRC-24	2 Burners, Independent Manual Control	NG	4	35,000	70,000	4" w.c.	23 <sup>9</sup> / <sub>10</sub> ×20 <sup>1</sup> / <sub>5</sub>	24×27 <sup>3</sup> / <sub>5</sub> ×15 <sup>1</sup> / <sub>5</sub>	117	147
		LP	10	35,000	70,000	10" w.c.				
ATRC-36	3 Burners, Independent Manual Control	NG	4	35,000	105,000	4" w.c.	35 <sup>7</sup> / <sub>10</sub> ×20 <sup>1</sup> / <sub>5</sub>	36×27 <sup>3</sup> / <sub>5</sub> ×15 <sup>1</sup> / <sub>5</sub>	159	205
		LP	10	35,000	105,000	10" w.c.				
ATRC-48	4 Burners, Independent Manual Control	NG	4	35,000	140,000	4" w.c.	47 <sup>9</sup> / <sub>10</sub> ×20 <sup>1</sup> / <sub>5</sub>	48×27 <sup>3</sup> / <sub>5</sub> ×15 <sup>1</sup> / <sub>5</sub>	201	256
		LP	10	35,000	140,000	10" w.c.				

**PLAN VIEW**

**ATRC-24**

**ATRC-36**

**ATRC-48**



Stainless steel knobs

Inlet pipe

Radiant

Stainless steel legs

Cast iron grates

